

TAMC220 3 Slot IndustryPack® Carrier for MTCA.4 Rear-I/O

Application Information

The TAMC220 is a standard double Mid-Size/Full-Size AMC.1 (PCI-Express) and MTCA.4 compliant carrier for up to three single-size, or one double-size and one single-size IndustryPack (IP) modules. It can be used to build modular, flexible and cost effective I/O solutions for all kinds of applications like process control, medical systems, telecommunication and traffic control. The TAMC220 is a versatile solution to upgrade well known legacy I/O solutions to a high performance form factor.

Two AirMaxVST™ connectors provide access to all IP I/O lines via a compatible µRTM, such as the TAMC002-TM.



The IP power lines are protected by self-healing fuses and are RF filtered. The operating temperature range is -40°C to +85°C.

According to AMC.0, the TAMC220 provides an IPMI compliant Module Management Controller (MMC) with temperature monitoring and hot-swap support.

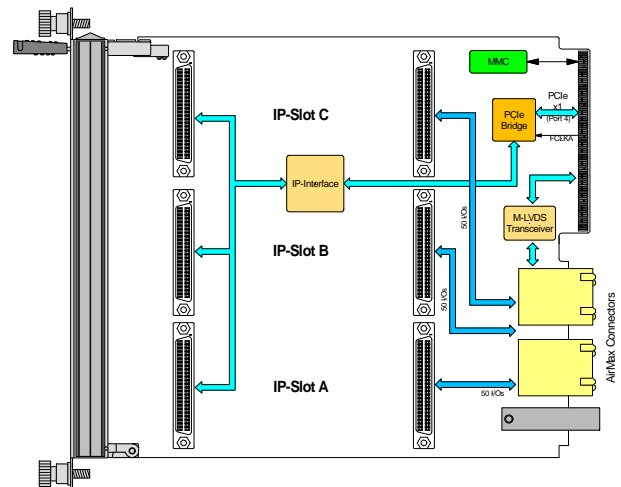
The TAMC220 is available as a mid-size module or as a full-size module.

TCLKA and TCLKB are connected to the µRTM via M-LVDS transceivers. Both signals can be used as bi-directional single-ended signals.

For First-Time-Buyers the engineering documentation TAMC220-ED is recommended. The engineering documentation includes TAMC220-DOC, schematics and data sheets of TAMC220.

Technical Information

- Form Factor: PICMG MTCA.4 Module
 - Board size: Double Mid-Size or Double Full-Size
- PCIe x1 Port (AMC.1 Type 1 compliant)
- IPMI V1.5 support
- Front-Panel LEDs:
 - Blue Hot-Swap LED
 - Red Failure LED (LED1)
 - Green Board OK/Activity LED (LED2)
 - Green ACKNOWLEDGE LED for each IP slot
- ANSI/VITA 4-1995 compliant interface to three IndustryPack modules
 - 3 IndustryPack slots: three Single-Size IPs or one Single-Size and one Double-Size IP
 - 8/32 MHz interface, no DMA
 - 8 Mbytes memory space per IP Slot
 - Routing of all IP interrupts to PCIe INTA/MSI, local interrupt status register
 - Rear-I/O access to all 150 IP I/O lines via AirmaxVST™ 90-pos connectors to a compatible RTM (for example, TAMC002-TM)
- Self Healing fuses and RF-filtering on all IP power lines
- Operating temperature -40°C to +85°C
- MTBF (MIL-HDBK217F/FN2 G_B 20°C) TAMC220-xx: 268000h



Order Information**RoHS Compliant**

TAMC220-10R 3 Slot IndustryPack Carrier for MTCA.4
Rear-I/O. Mid-Size front panel *)

TAMC220-11R 3 Slot IndustryPack Carrier for MTCA.4
Rear-I/O. Full-Size front panel

*) Please note that the mid-size module has restrictions to its usage because of a component height violation. It is within the responsibility of the user to carefully check if the mid-size module with its component height violation can be used in his system. Otherwise damage of the TAMC220 or its slot to be used in may occur! For more information see the user manual TAMC220-DOC.

Documentation

TAMC220-DOC User Manual

TAMC220-ED Engineering documentation
(TAMC220-DOC, Schematics,
Assembly Drawing, Data Sheets)

Software

CARRIER-SW-25 Integrity Software Support
CARRIER-SW-42 VxWorks Software Support
(Legacy and VxBus-Enabled
Software Support)

CARRIER-SW-65 Windows XP/XPE/2000
Software Support

CARRIER-SW-72 LynxOS Software Support

CARRIER-SW-82 Linux Software Support

CARRIER-SW-95 QNX 6 Software Support

For other operating systems please contact TEWS.

Related Products

TAMC002-TM MTCA.4 compatible μ RTM for Rear-I/O
access to the IP I/O lines