

TAMC002-TM MTCA.4 Rear-I/O μ RTM for TAMC220

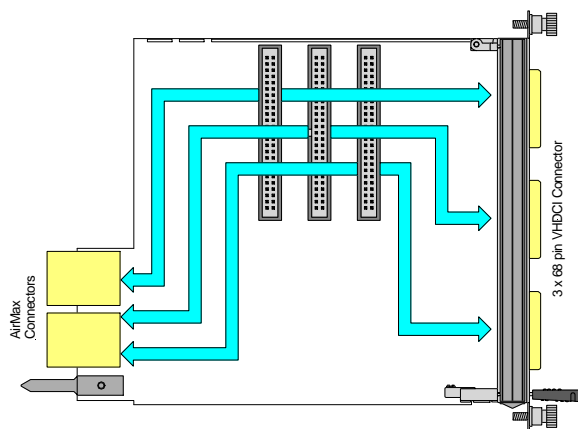
Application Information

The TAMC002-TM is a standard Mid-Size/Full-Size MTCA.4 compliant Micro Rear Transition Module compatible to the TAMC220.

Two AirmaxVS connectors provide access to all IP I/O lines of the TAMC220. The I/O lines are routed to three VHD68 SCSI-V connectors in the front panel and also to three 50-pin flat cable connectors that may be used for rack internal wiring or laboratory use.



According to MTCA.4, the TAMC002-TM provides an I2C EEPROM, an I2C temperature sensor and an I2C I/O Extender device. The I/O Extender is used to provide various management signals on the μ RTM, with the management being handled by the MMC of the TAMC220.



For First-Time-Buyers the engineering documentation TAMC002-TM-ED is recommended. The engineering documentation includes TAMC002-TM-DOC, schematics and data sheets of TAMC002-TM.

Technical Information

- Form Factor: PICMG MTCA.4 Rear Transition Module
 - Board size: Double Mid-Size or Double Full-Size
- MTCA.4 compatible IPMI support
- I/O Connectors:
 - VHD68 SCSI-V (front panel)
 - 50-pol. flat cable
- Front-Panel LEDs:
 - Blue Hot-Swap LED
 - Red Failure LED (LED1)
 - Green Board OK LED (LED2)
- Operating temperature -40°C to +85°C
- MTBF (MIL-HDBK217F/FN2 G_B 20°C)
TAMC002-TM-xx: 448000h

Order Information

RoHS Compliant

- TAMC002-TM-10R** MTCA.4 μ RTM for TAMC220. Mid-Size front panel
- TAMC002-TM-11R** MTCA.4 μ RTM for TAMC220. Full-Size front panel

Documentation

- TAMC002-TM-DOC** User Manual
- TAMC002-TM-ED** Engineering documentation (TAMC002-TM-DOC, Schematics, Assembly Drawing, Data Sheets)

Related Products

- TA307** Cable Kit for modules with VHD68 connector